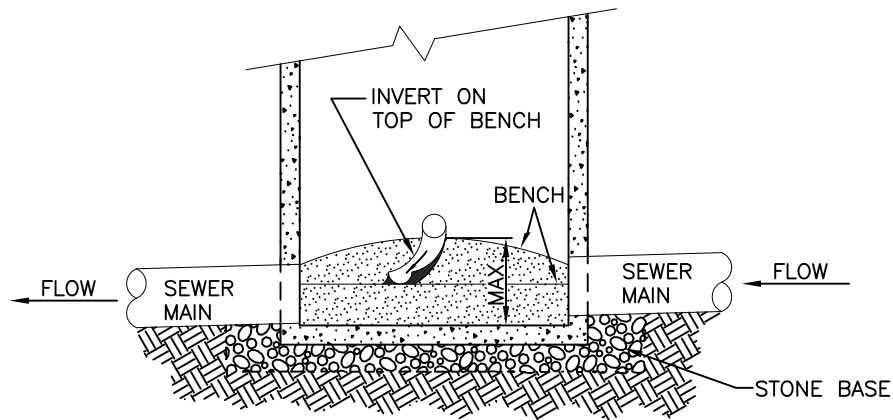


PLAN



ELEVATION

NOTES:

1. THE MINIMUM SPACING BETWEEN CONNECTIONS SHALL BE 9 INCHES.
2. SEWER LATERAL SHALL NOT ENTER A MANHOLE AT AN ANGLE LESS THAN 90° TO THE EFFLUENT PIPE.
3. ALL LATERALS TO BE INSTALLED AT THE TOP OF THE BENCH.
4. PROVIDE BRICK OR CONCRETE FOR INVERT.
5. INVERTS TO BE BUILT FROM LATERAL TO EFFLUENT PIPE.
6. THE MAXIMUM NUMBER OF LATERALS FOR ANY ONE MANHOLE IS FIVE (5).
7. ALL NEW LATERALS INTO MANHOLES MUST BE CORE DRILLED AND INSTALLED WITH A FLEXIBLE RUBBER BOOT.



SAB  
APPROVED BY:

KFM  
DRAWN BY:

DATE: 10/23/2018

SANITARY SEWER LATERAL  
AT MANHOLE

DURHAM COUNTY, NORTH CAROLINA  
ENGINEERING DEPARTMENT

SCALE:  
NTS

DETAIL NO.  
DUCO - 006