

SOLID COVER MAY BE REQUIRED
DEPENDING ON FIELD CONDITIONS

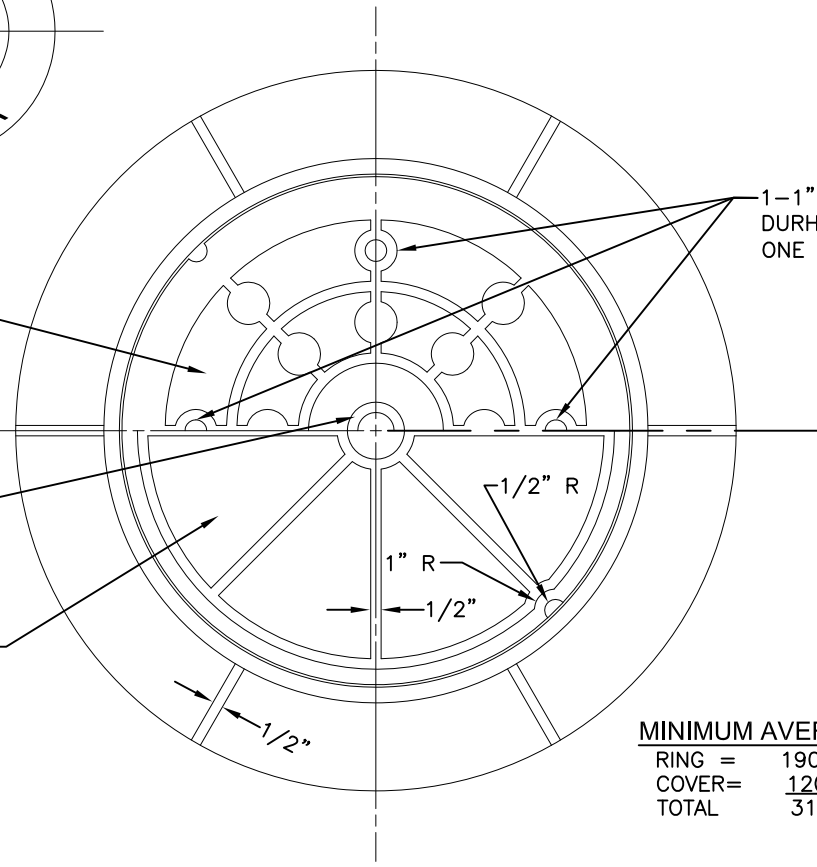
DETAIL C-C

TOP OF COVER

SEE DETAIL C-C

BOTTOM OF COVER

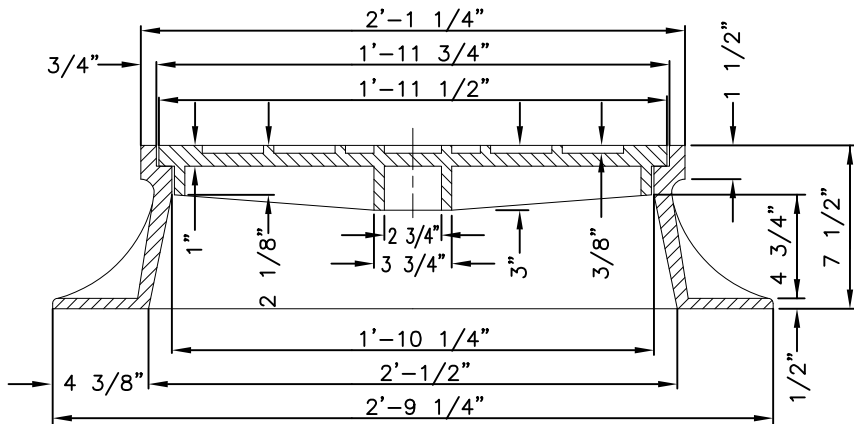
1-1" HOLE
DURHAM COUNTY:
ONE (1) HOLE TOP ONLY



MINIMUM AVERAGE WEIGHTS

RING =	190lbs.
COVER =	120lbs.
TOTAL	310lbs.

PLAN



SECTION

PROVIDE MANHOLE INSERTS MANUFACTURED FROM HIGH DENSITY POLYETHYLENE, MEETING THE REQUIREMENTS OF ASTM D-1248, CLASS A, CATEGORY 5, TYPE III. INSERTS SHALL BE EQUIPPED WITH 1 GAS RELIEF VALVE, 1 VACUUM RELIEF VALVE, A CROSS-LINKED POLYETHYLENE GASKET AND ONE HEAVY WEIGHT POLYPROPYLENE LIFTING STRAP.



SAB
APPROVED BY:

KFM
DRAWN BY:

DATE: 10/23/2018

**SANITARY SEWER MANHOLE
RING AND COVER**

DURHAM COUNTY, NORTH CAROLINA
ENGINEERING DEPARTMENT

SCALE:
NTS

DETAIL NO.
DUCO - 002